



National  
Qualifications  
2019

**X835/76/11**

**Graphic Communication  
Supplementary sheets**

TUESDAY, 21 MAY  
1:00 PM – 3:30 PM

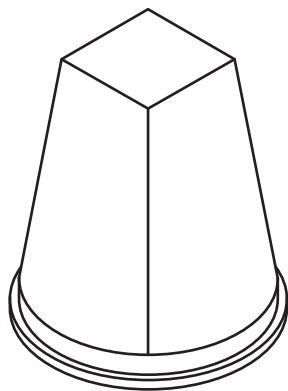
Supplementary sheets for use with questions 1 (b) (i) and (ii), 2 and 3 (d).



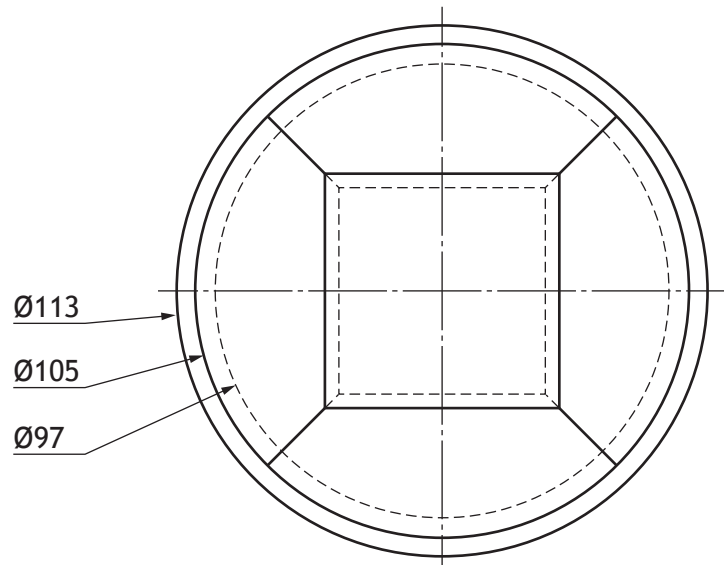
STAGE 1



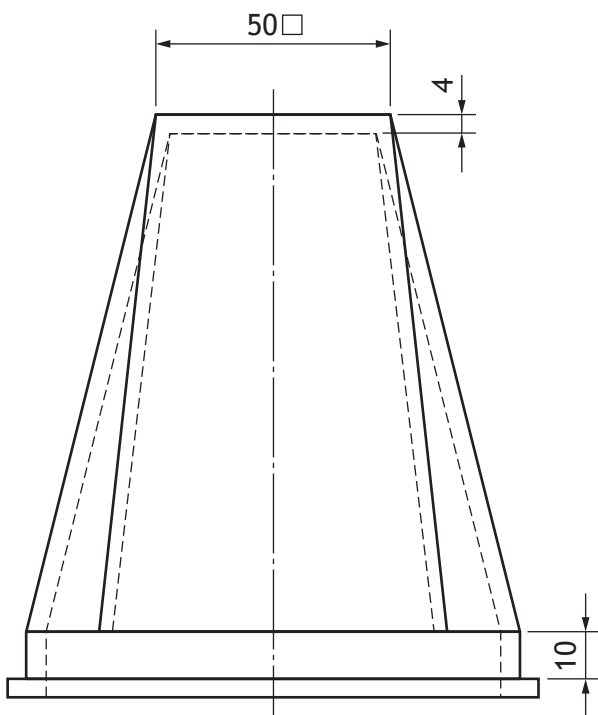
RENDERED ILLUSTRATION



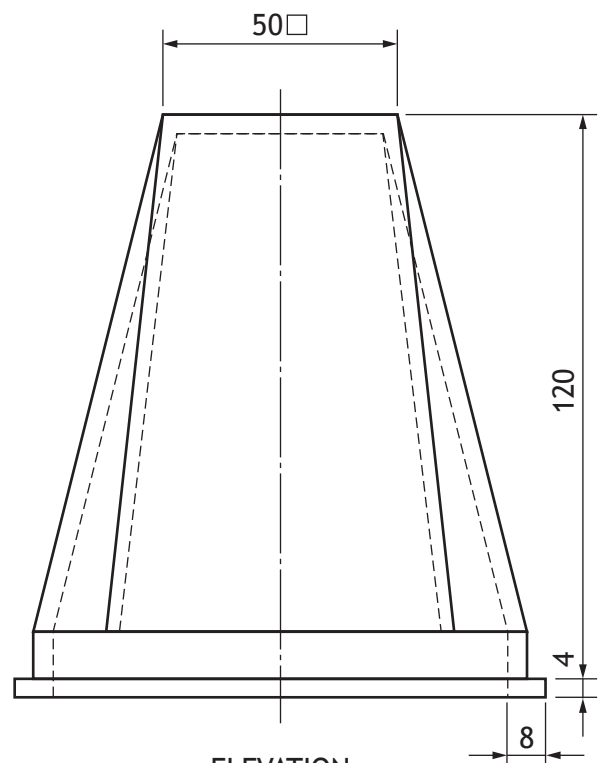
PICTORIAL VIEW



PLAN

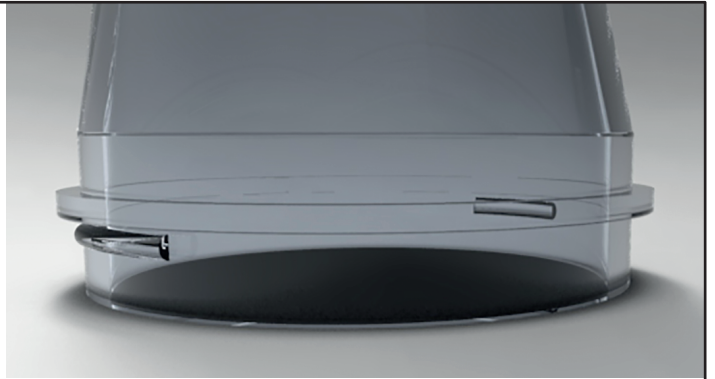


END ELEVATION

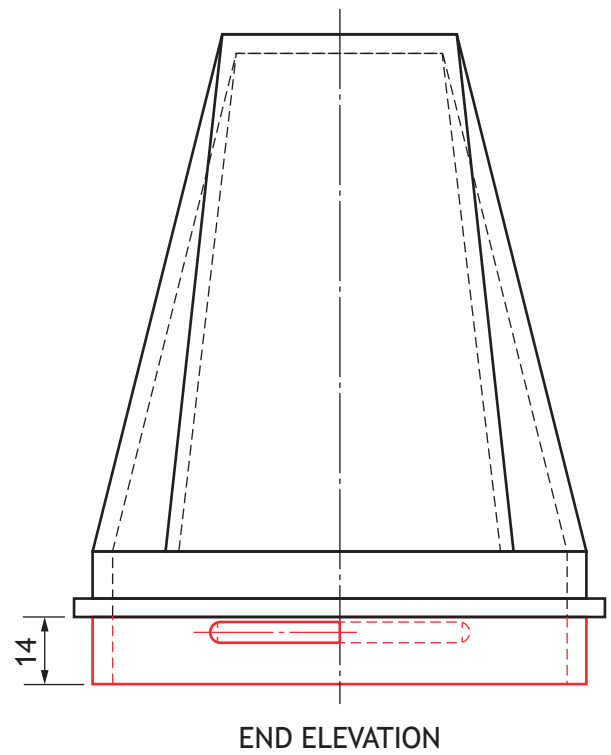
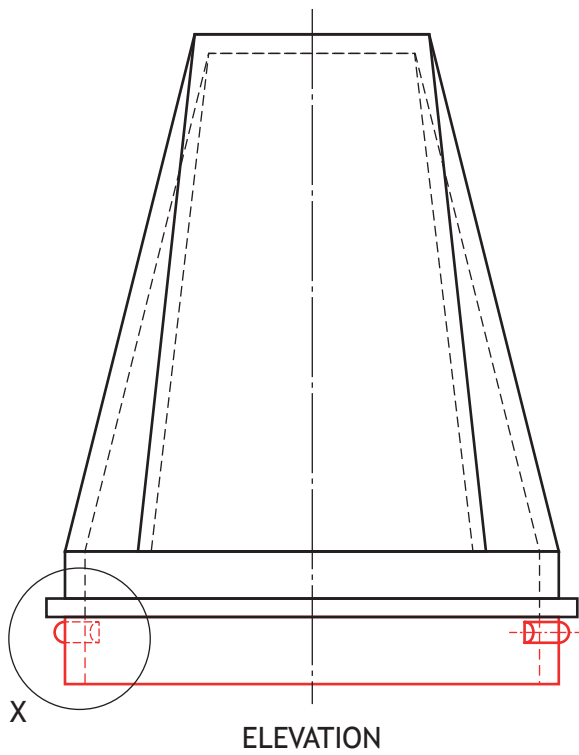
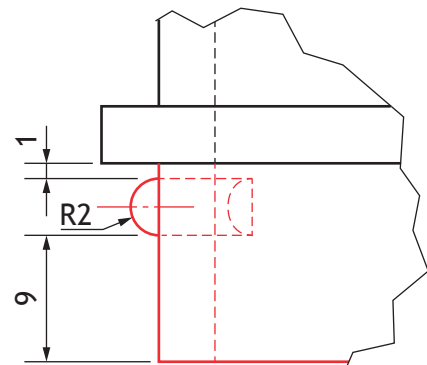
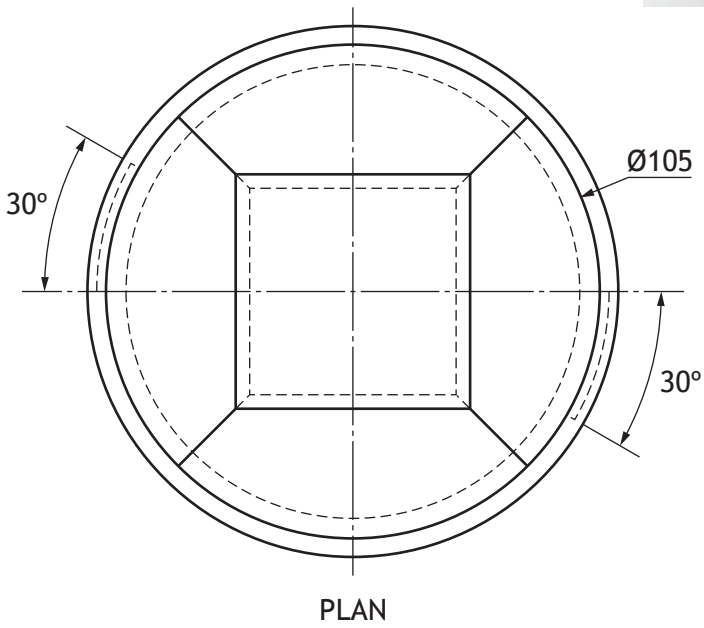


ELEVATION

STAGE 2



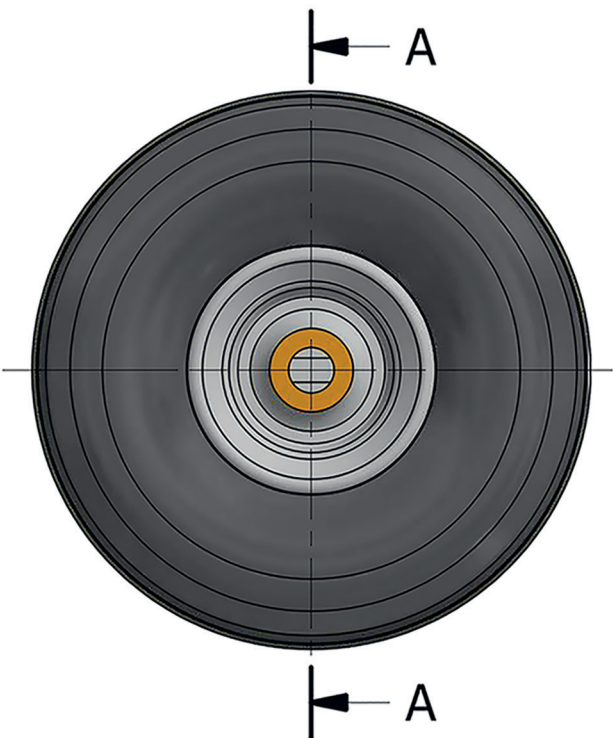
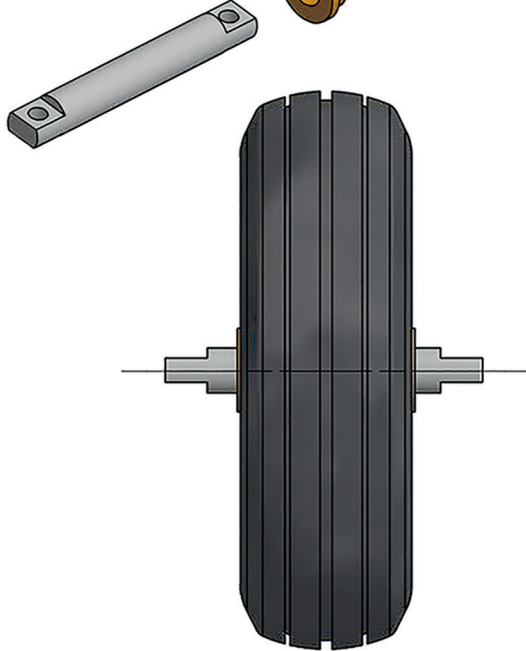
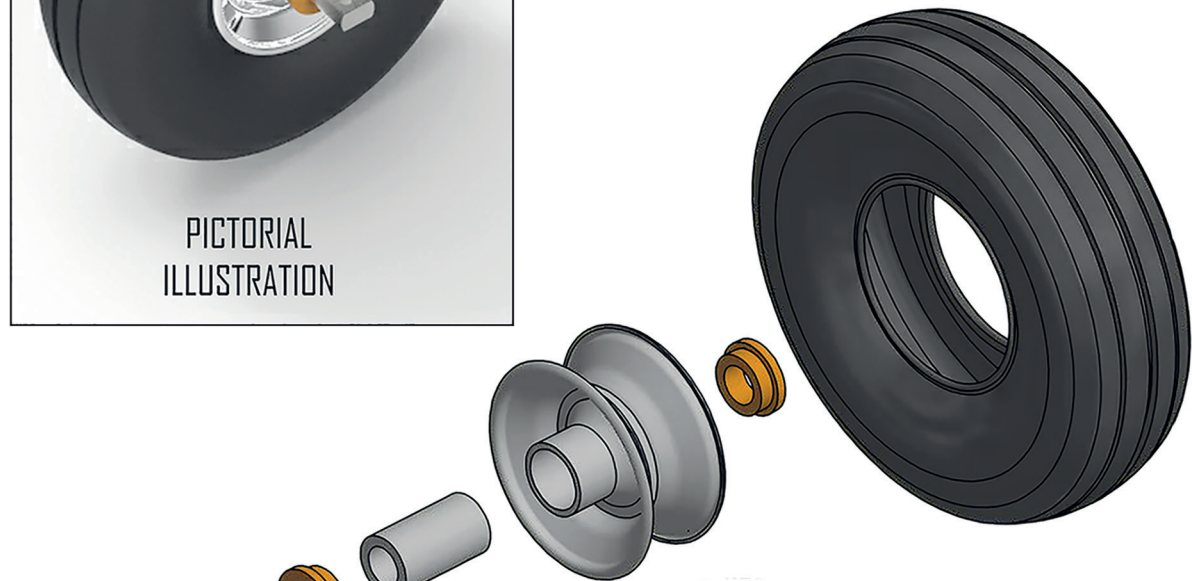
RENDERED ILLUSTRATION



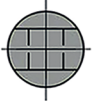
# WHEEL ASSEMBLY



EXPLODED ILLUSTRATION



**AXLE**

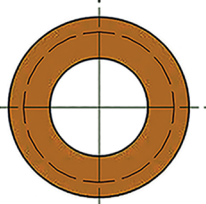


PLAN



ELEVATION

**BUSH**



ELEVATION

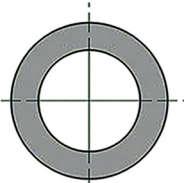


END ELEVATION

**BEARING**



ELEVATION

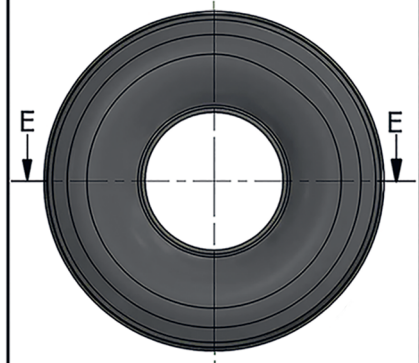


END ELEVATION

**TYRE**

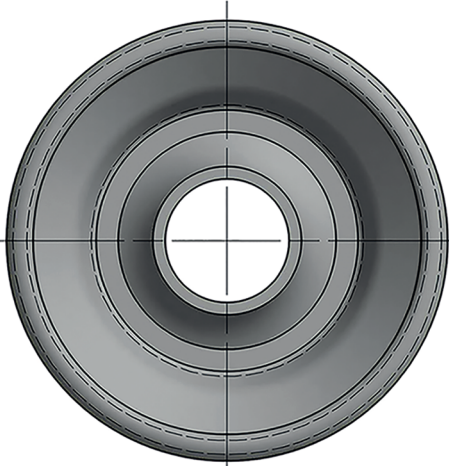


CROSS-SECTION E-E

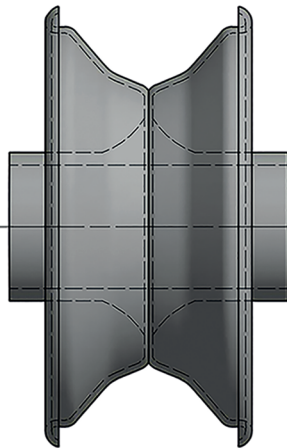


ELEVATION

**WHEEL RIM**



END ELEVATION




ELEVATION



PICTORIAL ILLUSTRATION

**SCOTLAND'S NEWEST  
MUSIC FESTIVAL**



**SCT RCK**  
SCOTLAND ROCKS

**VIP SHUTTLE SERVICES**  
**BOOK NOW!**

**BRONZE  
PACKAGE**

Pick up and collection from drop-off points. 100% guaranteed standing or seating space on the coach of your chosen booking time. Stewards on board all coaches to ensure you get home safely.

**SILVER  
PACKAGE**


Pick up and collection from drop-off points in luxury modern coach with spacious seating guaranteed for all passengers. On board DJ to keep the party atmosphere going all the way home.

**GOLD  
PACKAGE**

VIP pick up and drop-off from your own chosen location in our most modern and luxurious coach. Free food and drinks provided, and access to our corporate VIP area within the festival site.

**STANDARD SHUTTLE SERVICE**  
**NO BOOKING REQUIRED**

**GLASGOW - SCOTROCK  
SHUTTLE SERVICE**



SAT 30 & SUN 31 AUGUST		
First bus	Then	Last bus
07.15	Shuttle runs approximately every <b>15-20</b> minutes	18.15

FOR FURTHER INFO VISIT: [WWW.SCTRCK.COM/TRAVEL](http://WWW.SCTRCK.COM/TRAVEL)

[BLANK PAGE]

DO NOT WRITE ON THIS PAGE

[BLANK PAGE]

DO NOT WRITE ON THIS PAGE

*Acknowledgement of copyright*

Question 3(d) ProfyArt/shutterstock.com